

# KARIBAN

1/2

REFERENCE : K607

NAME :

SIZES : S\_M\_L\_XL\_XXL\_3XL\_4XL

**COMPOSITION :**

Main fabric : Ottoman tason with transparent coating 135 100%polyamide

Fabric 1 : Micropolar fleece 220 For pocket sack, inner collar and inner body 100%polyester

Main fabric : Special mesh For inner body yokes and inner pocket. 100%polyester

Lining 2 : Lining 210T For bottom body lining and sleeve lining. 100%polyester

Wad 2 : Polyfil 65 100%polyester

**WEIGHT :**

Main fabric : 135 gsm

Fabric 1 : 220 gsm

Main fabric : 160 gsm

Lining 2 : 60 gsm

Wad 2 : 65 gsm

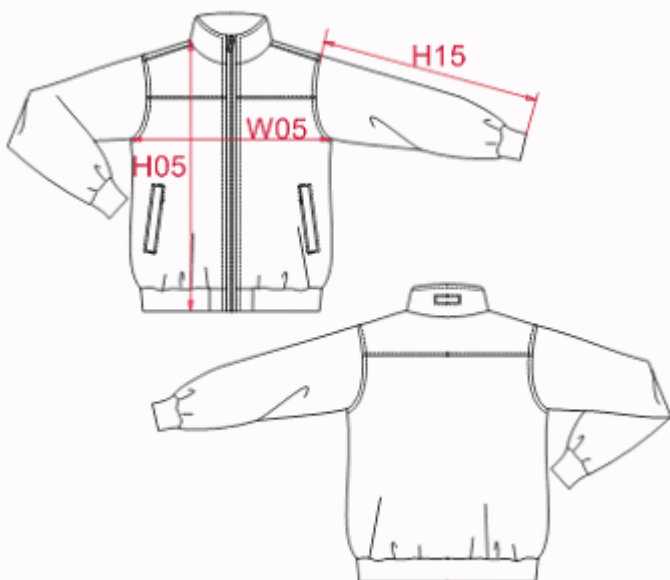
**FABRIC CONSTRUCTION AND FINISHING :**

70D\*320D/140\*51 Transparent coating

COLORS	PANTONE SERIGRAPHIE
Black / Dark grey	Black / 432C
Navy / Dark grey	2965C / 432C
Red / Dark grey	186C / 432C
Light beige / Dark grey	7535C / 432C
Aqua blue / Dark grey	3005C / 432C

**DESCRIPTION**

- Français :** Blouson doublé polaire  
**English :** Fleece lined blouson jacket  
**Nederlands :** Heren jas  
**Deutsch :** Jacke mit fleecfutter  
**Español :** Chaqueta con forro de polar  
**Italiano :** Bomber uomo  
**Português :** Blusão



**MEASUREMENT**

Description	S	M	L	XL	XXL	3XL	4XL
<b>H05</b> Hauteur totale avec BC / Total height with rib	73,50	75,50	77,50	79,50	81,50	83,50	86,25
<b>W05</b> 1/2 largeur poitrine / 1/2 chest width	57	60	63	66	69	72	76
<b>H15</b> Longueur manche avec BC / Sleeve length with rib	69	71	73	75	77	79	81

**PACKING**

Box	10 pcs / box S-M => L:56cm W:35cm H:13cm GW:9.00kg NW:8.00kg L-XL => L:58cm W:37cm H:13cm GW:9.00kg NW:8.00kg XXL-4XL => L:60cm W:39cm H:13cm GW:9.00kg NW:8.00kg
-----	---

**CARE LABEL**

